

SPIDER Pulse Characterization

Spectral and Temporal Characterization of Ultrashort Laser Pulses

The Spider series by APE is an all-purpose and frequently used solution for complete characterization of ultrashort laser pulses. Even complex pulse shapes can be measured rapidly and at fast update rates. Different models are available to cover various pulse widths, bandwidths, and wavelengths.

The FC Spider (Few Cycle Spider) is the best choice for very short pulses down to sub 5 fs and supports pulse spectra that cover up to one octave.

The Spider is ideal for infrared or near infrared laser pulses with a central wavelength of around 0.8 μm or 1 μm .

FC Spider

- Precise Characterization of Few-Cycle Pulses Down to < 5 fs

[page 3](#)



Spider

- Pulse Characterization for NIR or IR Wavelength

[page 5](#)



Spider Software

Spider Software Features

Important software features for advanced pulse characterization are provided with all APE Spiders. If desired, a PC or notebook with pre-installed software will be delivered together with the instrument.



Software Interface FC Spider and Spider

FC Spider, Spider (Software)

- Spectral and temporal reconstruction
- E-field plot
- Peak power calculation
- Measurement of phase differences
- Spectral phase analysis up to fourth order
- Simulation of additional theoretical dispersion (GDD, TOD, FOD)
- Spectrogram (X-FROG, SHG-FROG) and Wigner trace representation of the pulse
- Parameter logging
- TCP/IP interface for automated read out and remote access

FC Spider Few-Cycle

Precise Characterization of Few-Cycle Pulses Down to < 5 fs

The FC Spider (Few-Cycle Spider) by APE provides spectral and temporal characterization of ultrashort laser pulses down to sub 5 fs. It covers the visible, near infrared, as well as the infrared spectral region.

This high precision tool is ideal for aligning and monitoring the performance of broadband Ti:Sa oscillators and amplifier chains.

The FC Spider VIS supports the visible spectral region down to 450 nm, suitable for characterization of e.g. nonlinear optical parametric amplifiers (NOPA).

Based on the proven and patented SPIDER* technology, using a non-drifting, etalon interferometer and a material dispersion stretcher, the FC Spider directly measures the spectral phase by analyzing a spectral interferogram. In combination with a simultaneously measured power spectrum, a real-time calculation and visualization of the spectral and temporal amplitude as well as phase can be performed.



- Short pulse characterization down to < 5 fs
- Available solutions for the VIS, NIR and IR range
- Real-time and single-shot measurement of phase and intensity
- High level of automated software support and internal camera assisted alignment
- Full software suite included
- Ideal for broadband Ti:Sa oscillators, hollow-core fiber compressors, and NOPA

*Spectral Phase Interferometry for Direct Electric-field Reconstruction;

International Patent No.: EP 1000315, WO 1999/006794

FC Spider Specifications

Model	FC Spider VIS	FC Spider NIR	FC Spider IR
Center wavelength	- 500 nm - 600 nm - 700 nm	- 800 nm	- 1030 nm
Spectral Bandwidth	5 nm ... 50 nm (for center 500 nm) 10 nm ... 80 nm (for center 600 nm) 20 nm ... 100 nm (for center 700 nm)	25 nm ... 200 nm	50 nm ... 200 nm Optional: 50 nm ... 300 nm
Transform limited pulse width	8 fs ... 75 fs (for center 500 nm) 7 fs ... 50 fs (for center 600 nm) 7 fs ... 35 fs (for center 700 nm)	< 5 fs ... 40 fs	7 fs ... 30 fs Optional: 5 fs ... 30 fs
Maximum pulse width (chirped)	120 fs	200 fs	200 fs
Laser repetition rate	Any; Single shot (< 20 Hz)	Any; Single shot (< 20 Hz)	> 100 Hz
Trigger	TTL for Single shot measurements (repetition rates < 20 Hz)	TTL for Single shot measurements (repetition rates < 20 Hz)	TTL for repetition rates 100 Hz ... 10 kHz

Input requirements

Laser pulse energies	0.2 nJ ... 8 nJ for MHz repetition rates < 10 μ J for kHz repetition rates ~ 10 μ J for Hz repetition rates / Single shot
Polarization	Linear / horizontal
Beam diameter	< 5 mm
Beam height	72 mm ... 106 mm (spectral phase and intensity) 87 mm ... 121 mm (spectral intensity)
Interface	USB 2.0
Notebook	with pre-installed software included

Options

Wavelength	others on request, please ask
External beam splitter and beam routing kit	on request, please ask

Dimensions

561 mm x 244 mm x 316 mm (W/H/D)
See appendix for details

Spider

Pulse Characterization for NIR or IR Wavelength

The Spider is a precision tool optimized for the complete spectral and temporal characterization of laser pulses in the near infrared or infrared. Based on the patented Spider* technology, it extends the existing range of APE Spider models to cover longer pulses, between 15 fs and 500 fs, at a central wavelength of around 0.8 μm or 1 μm .

It also supports detection of the chirp sign for stretched pulses greater than 2 ps width, making it a smart choice for the alignment of pulse compressors.

Furthermore, the Spider control software supports real-time calculation of the temporal amplitude and phase. The user-friendly design features highly automated software to guide the operator through calibration and alignment procedures and enable measurements to be executed with a minimum of data input.



- Best choice for pulses between 15 fs and 500 fs at 0.8 μm or 1 μm central wavelength
- Spectral intensity and phase measurement as well as temporal intensity and phase reconstruction
- Real-time and true single-shot measurement of intensity and phase
- High level of automated software support and internal camera-assisted alignment
- Full software suite included

*Spectral Phase Interferometry for Direct Electric-field Reconstruction; International Patent No.: EP 1000315, WO 1999/006794

Spider Specifications

Specifications	Spider NIR	Spider IR
Center wavelength	750 nm ... 900 nm	970 nm ... 1070 nm
Spectral bandwidth	15 nm ... 60 nm	7 nm ... 50 nm
Transform limited pulse width	15 fs ... 60 fs	30 fs ... 200 fs
Maximum pulse width (chirped)	200 fs	500 fs
Laser repetition rate	Any; Single shot (< 20 Hz)	Any; Single shot (< 20 Hz)
Trigger for Single shot measurements	TTL, for laser repetition rate < 20 Hz	TTL, for laser repetition rate < 20 Hz

Input requirements

Laser pulse energies	0.2 nJ ... 8 nJ for MHz repetition rates < 10 μ J for kHz repetition rates ~ 10 μ J for Hz repetition rates / Single shot
Polarization	Linear / horizontal
Beam diameter	< 5 mm
Beam height	72 mm ... 106 mm (spectral phase and intensity) 87 mm ... 121 mm (spectral intensity)
Interface	USB 2.0
Notebook	with pre-installed software included

Options

Wavelength	others on request, please ask
External beam splitter and beam routing kit	on request, please ask

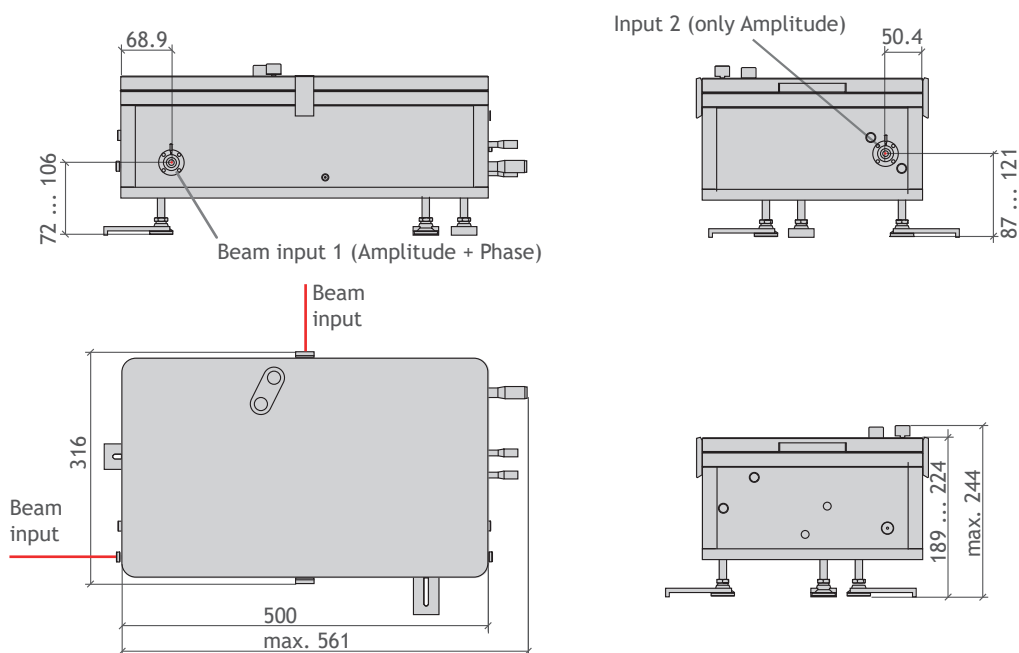
Dimensions

561 mm x 289 mm x 320 mm (W/H/D); (See appendix for details)

FC Spider

- Precise Characterization of Few-Cycle Pulses Down to < 5 fs

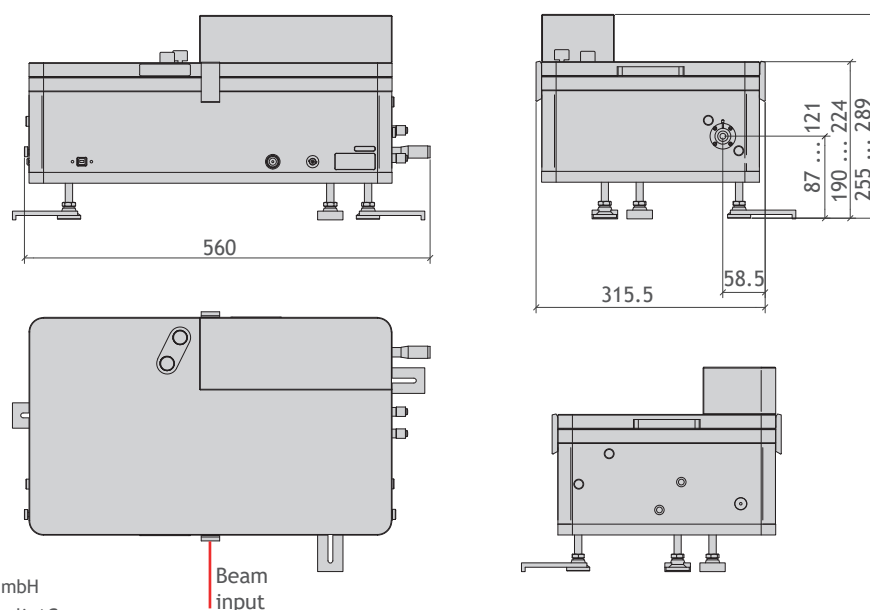
page 3



Spider

- Pulse Characterization for NIR or IR Wavelength

page 5



Contact

APE Angewandte Physik & Elektronik GmbH
 Plauener Str. 163-165 | Haus N | 13053 Berlin | Germany
 T: +49 30 986 011-30 F: +49 30 986 011-333
 E: sales@ape-berlin.de www.ape-berlin.de