

Three-Channel Wavelength-Tunable Femtosecond Laser



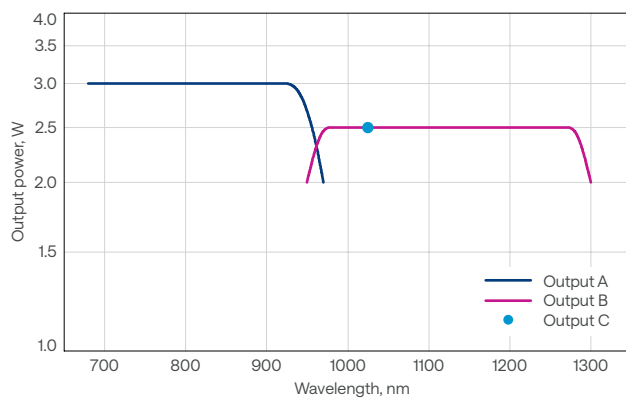
Watt-level output at high repetition rate for fast imaging

Two tunable and one fixed output for simultaneous multibeam excitation

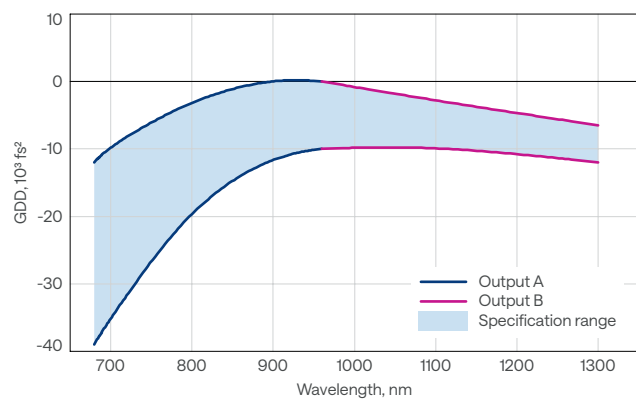
Automated GDD control for shortest pulses at the sample

Industrial-grade design for high power and beam stability

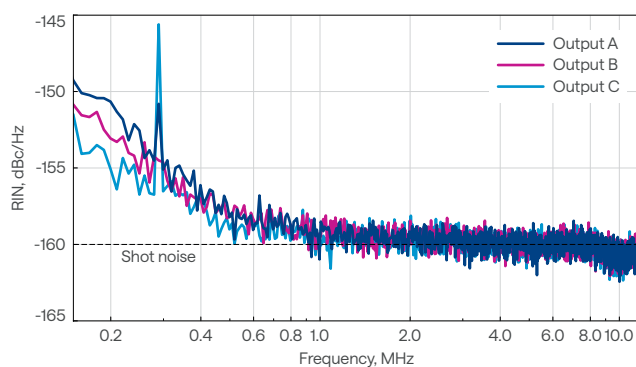
CRONUS-2P tuning curve



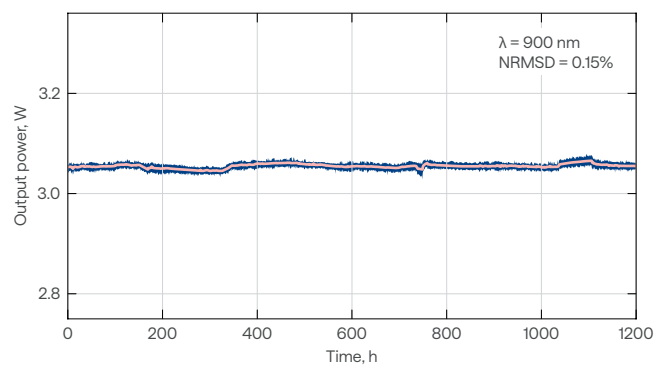
CRONUS-2P GDD control range



CRONUS-2P relative intensity noise (RIN)



CRONUS-2P typical output power stability at 900 nm



Specifications

Model	CRONUS-2P		
	Output A	Output B	Output C
Tuning range ¹⁾	680 – 960 nm	940 – 1300 nm	1025 ± 10 nm (fixed)
Output power ²⁾³⁾	> 3 W @ 920 nm	> 2.5 W @ 1100 nm	> 2.5 W
Pulse duration ⁴⁾⁵⁾	< 160 fs		
Repetition rate	77 ± 1 MHz		
Beam quality, M^2 ³⁾⁴⁾	< 1.2		
Polarization	Linear, horizontal		
Beam divergence, full angle	< 1 mrad		< 1.5 mrad
Beam diameter ⁴⁾ (1/e ²)	3.0 ± 0.4 mm	3.2 ± 0.4 mm	2.8 ± 0.4 mm
Beam ellipticity ⁴⁾	> 0.8		
Beam astigmatism ⁴⁾	< 20%		
Beam pointing stability ⁶⁾	< 200 μrad		n/a
Long-term power stability, 24 h ⁴⁾⁷⁾	< 1%		
GDD control range	-10 000 to -35 000 fs ² @ 700 nm -3 000 to -20 000 fs ² @ 800 nm 0 to -10 000 fs ² @ 920 nm	0 to -10 000 fs ² @ 960 nm -3 000 to -10 000 fs ² @ 1100 nm -8 000 to -12 000 fs ² @ 1300 nm	n/a

OPTIONAL POWER CONTROL

Tuning range ⁸⁾	680 – 960 nm	940 – 1300 nm	1025 ± 10 nm (fixed)
Output power ⁹⁾	> 2 W @ 920 nm	> 2 W @ 1100 nm	> 1.5 W
Rise/fall time ¹⁰⁾	< 300 ns		
Contrast ratio	1000:1		
GDD control range	0 to -6 500 fs ² @ 920 nm	0 to -10 000 fs ² @ 1100 nm	n/a

OPTIONAL WAVELENGTH EXTENSIONS (UV – VIS)

Second harmonic tuning range	340 – 480 nm ¹¹⁾	480 – 650 nm ¹¹⁾	n/a
Conversion efficiency at peak	> 30%		

ENVIRONMENTAL REQUIREMENTS & DIMENSIONS

Refer to www.lightcon.com

¹⁾ Configuration with dual-output A or dual-output B is also available.

²⁾ Simultaneous mode: > 1 W @ 920 nm, > 1 W @ 1100 nm, and > 2.5 W @ 1025 nm.

³⁾ Power control using AOM is applicable, specifications below.

⁴⁾ Specified at 920 nm, 1100 nm, and 1025 nm, respectively.

⁵⁾ IR pulse duration determined assuming sech² shape.

⁶⁾ Beam pointing deviation over the entire tuning and GDD control range.

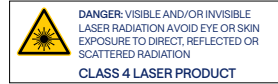
⁷⁾ Expressed as normalized root mean squared deviation (NRMSD); with less than ±1 °C temperature change after 1 h warm up.

⁸⁾ Configuration with dual-output A or dual-output B is also available.

⁹⁾ Simultaneous mode: > 0.7 W @ 920 nm, > 0.7 W @ 1100 nm, and > 1.5 W @ 1025 nm.

¹⁰⁾ Specified from 5% to 95%.

¹¹⁾ Multiple second harmonic configurations available. For more information contact sales@lightcon.com.



Drawings

CRONUS-2P drawing

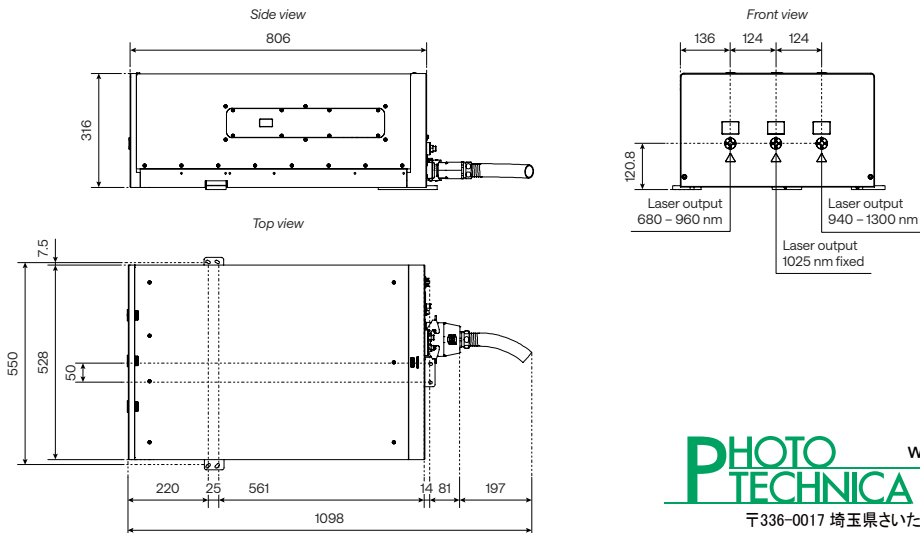


PHOTO TECHNICA フォトテクニカ株式会社
www.phototechnica.co.jp
 〒336-0017 埼玉県さいたま市南区南浦和 1-2-17
 TEL:048-871-0067 FAX:048-871-0068
 e-mail:voc@phototechnica.co.jp

