

## External Harmonic Generator



515 nm, 343 nm, 258 nm,  
and 206 nm outputs

Simple selection of the  
active harmonic

Simultaneous or  
switchable outputs

Standalone harmonics for  
PHAROS / CARBIDE and FLINT

### HIRO for PHAROS / CARBIDE

Model	HIRO	HIRO-HP	HIRO-HE
Maximum pump power	20 W	80 W	
Pump pulse energy	8 – 400 $\mu$ J	200 – 1000 $\mu$ J	1000 – 4000 $\mu$ J
Available outputs <sup>1)2)</sup>	Up to 4H <sup>3)</sup>	Up to 5H	
Conversion efficiency <sup>1)4)</sup>		> 50% (2H) > 25% (3H) > 10% (4H) <sup>5)</sup> > 5% (5H) <sup>6)</sup>	
Polarization <sup>7)</sup>		Linear, horizontal (2H, 5H) Linear, vertical (3H, 4H)	

### PHYSICAL DIMENSIONS

Dimensions (L x W x H)	487 x 176 x 180 mm	552 x 320 x 170 mm
------------------------	--------------------	--------------------

<sup>1)</sup> For harmonic combinations and simultaneous outputs, contact sales@lightcon.com.

<sup>2)</sup> Residual fundamental output available upon request.

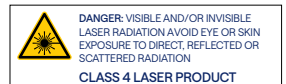
<sup>3)</sup> White light continuum output available upon request.

<sup>4)</sup> Percentage of pump power, for repetition rate of up to 200 kHz.

<sup>5)</sup> Maximum output power of 1 W.

<sup>6)</sup> Maximum output power of 150 mW. Only for HIRO-HP/HE.

<sup>7)</sup> Different polarization is available upon request.



# HIRO for FLINT

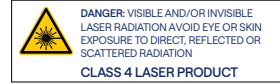
Model	HIRO
Available harmonic <sup>1)</sup>	Up to 4H
Maximum pump power	4 W
Conversion efficiency <sup>2)</sup>	> 35% (2H) > 5% (3H) > 1% (4H)

## PHYSICAL DIMENSIONS

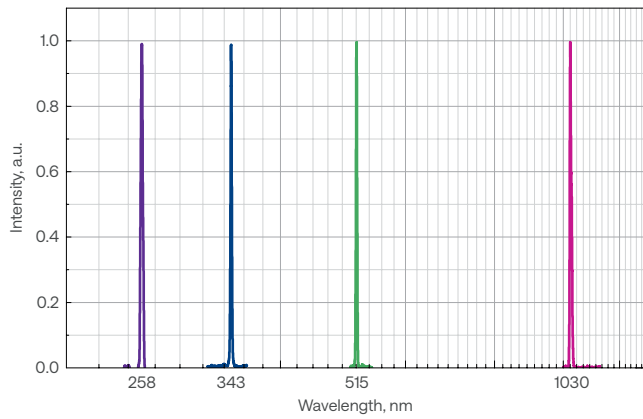
Dimensions (L × W × H)	487 × 176 × 180 mm
------------------------	--------------------

<sup>1)</sup> For high power 2H, refer to HG for FLINT.

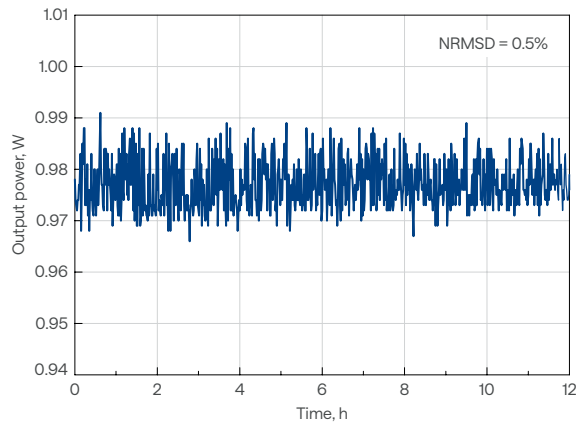
<sup>2)</sup> For pump power of > 500 mW.



HIRO outputs

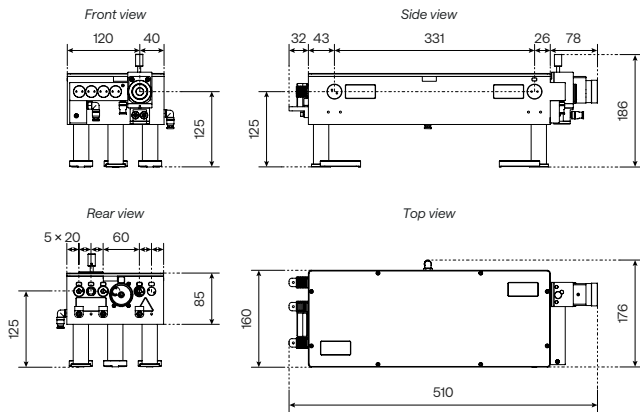


4H output power stability



## Drawings

HIRO drawing



HIRO-HP/HE drawing

